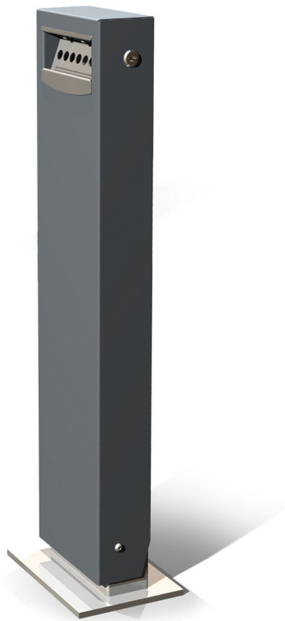


s24.2 ashtray



Above, s24.2 in dark grey. Right, black powder coated s24.2.



description

Powder coated zinc plated steel with stainless steel stub plate and removable galvanized liner.

dimensions (excluding base)

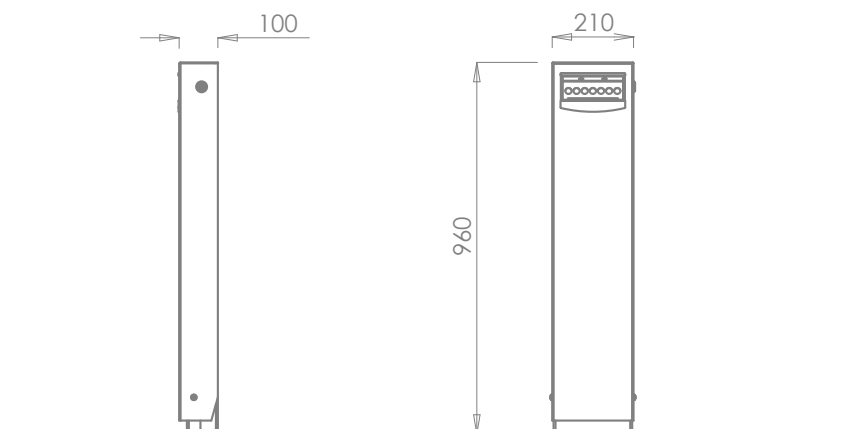
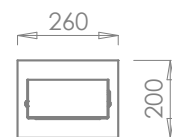
Height 960mm, width 210mm, depth 100mm.

Capacity 5L.

Weight 19Kg.

options

Choice of colours.



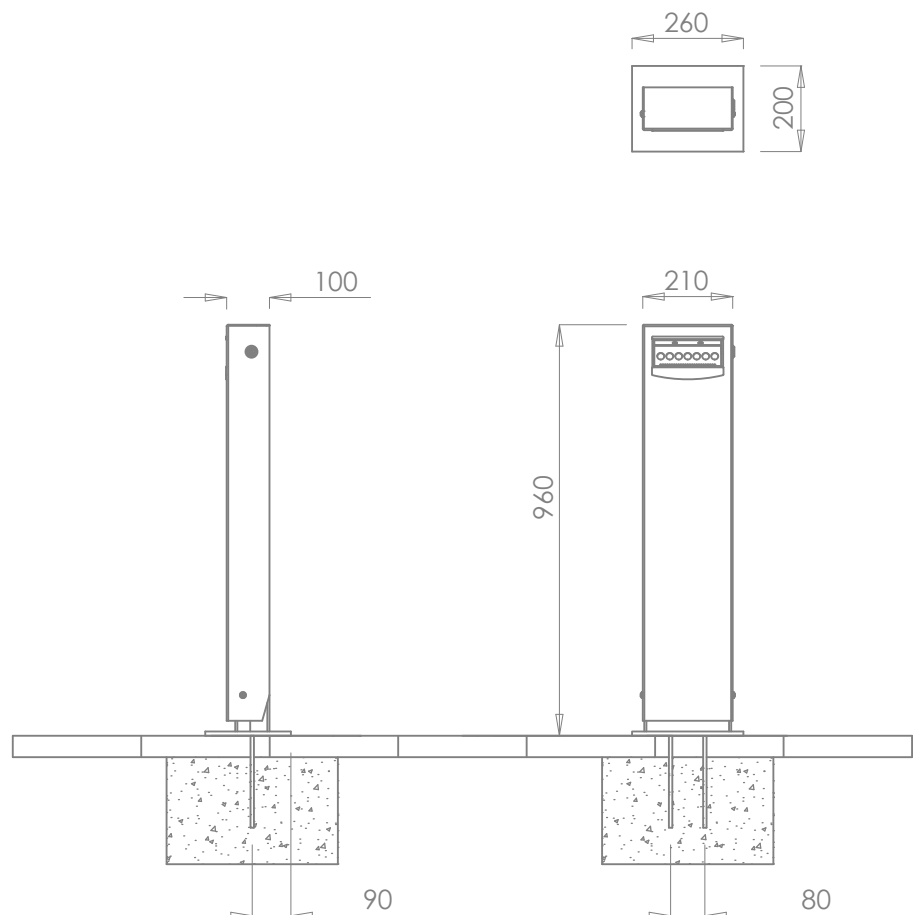
s24.2 Fixing Instructions

(for areas already paved)

- 1 Determine the location for the ashtray. Remove pavers and excavate a hole to minimum dimensions of L400 x W400 x D300mm. The size of the foundation may vary depending on the ground conditions.
- 2 Fill the hole with 35N20 concrete up to 15mm below the level of the underside of the pavers ensuring a good smooth surface finish.
- 3 Allow sufficient time for the concrete to set then apply a layer of dry sand/cement mix over the pad. Compact and adjust to bring this to the level of the underside of the paving.
- 4 Replace the paving slabs and ensure that they are well bedded in.
- 5 Place the ashtray in the desired location and mark through the fixing holes making sure this is done accurately.
- 6 Drill through pavers into the concrete pad. Drill following fixing manufacturer's instructions to suit the chosen fixing. Use M12 through bolts to fix (such as Hilti HSA M12 x 180).
- 7 Lift the ashtray into place and tighten the nuts.

Foundations

The ashtray can be fixed directly to a concrete slab or to concrete pads beneath paving stones. Foundations must be to engineer's specification.



Right and above, fixing details.

s24.2 Care and Maintenance Guidelines

The s24.2 ashtray is constructed from electro zinc plated steel with a 316 grade stainless steel stub plate. It is finished in polyester powder, a plastic coating which is baked onto the components prior to assembly. The extent to which cleaning is required will depend on a number of factors including environmental conditions, construction activity and level of use.

Maintaining the painted galvanized steel

The s24.2 is finished in polyester powder. This is a highly durable finish which will last for many years. To maintain the original appearance of the metalwork it should be cleaned inside and out regularly using warm soapy water. Avoid the use of abrasive cleaners as they may damage the surface finish. Should the paint become chipped or scratched it can be touched up using acrylic based paint.

If the damage has penetrated the galvanized coating the area should be cleaned with a wire brush and a zinc rich primer should be applied prior to the top coat. For further advice contact Omos on + 353 45 899802.

Maintaining the stainless steel stub plate

Prior to shipping all our stainless steel has been passivated to ASTM A380 and ASTM 976 01-8.1 to ensure the highest standard.

Clean the stainless steel components using warm water with a mild detergent with a non abrasive cloth or sponge. Heavier stains may require the use of a nylon scouring pad. As a rule always start with the least severe method of cleaning as the use of scouring pads or scotch bright may result in altering the surface texture. For brushed finishes the surface consists of uniform fine 'scratches' running in one direction so where abrasive cleaning is required always use a straight back and forward rubbing action in the direction of the grain.

Rust spots or 'tea stains' can occur on the surface of the material, these are normally caused by contamination from ordinary mild steel, particularly in areas where construction work has been undertaken. Such stains can be removed using an abrasive pad as described above.

In cases where the surface is severely stained as a result of severe environmental conditions or scratched due to misuse, it may still be possible to restore the original finish. Contact Omos for advice on such issues.

There are many stainless steel polishes available to enhance the surface finish. Omos recommends 'Avesta Finishing chemicals' and can advise where to purchase.

Liner

The s24.2 ashtray is equipped with a galvanized steel liner. Clean with warm soapy water. Replacement liners are available from Omos.

Locks, hinges and other moving parts

All moving parts should be kept clean and lubricated to ensure a long life. A spray lubricant such as 'WD40' is widely available and well suited.



Right, s24.2 ashtray in dark grey with stainless steel stub plate.