

# Haehae Bike Stand



Haehae Bike Stand

## PRODUCT FEATURES

- High strength fabricated steel construction
- 5.0mm Mild Steel
- All fixings: Stainless Steel 316
- Supplied fully assembled
- Hot Dip Galvanised
- Finished in any standard powder coat colour

## DIMENSIONS

- Height 850mm, Width 600mm

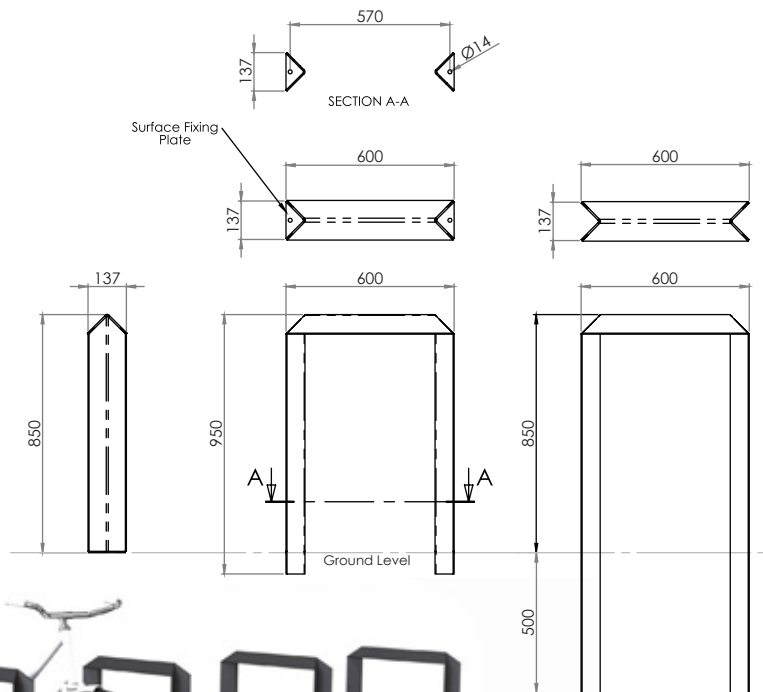
## SPECIFICATIONS

### Options

- No tap-rail
- Tap-rail

### Fixing

- Surface Mount, Below Ground or Extended Leg



Haehae Bike Stand with tap-rail



Haehae Bike Stand set

# Haehae Bike Stand

## Care & Maintenance Suggestions

Our products are constructed using a variety of different materials, all of which are highly corrosion resistant. Despite this, some care is required to maintain their good looks. The extent to which cleaning is required will depend on a number of factors including environmental conditions, construction activity and level of use.

### MAINTAINING THE METAL SURFACES

To maintain the original appearance of the metal, it should be cleaned regularly using warm soapy water.

**Galvanised Steel:** If the galvanised coating is significantly penetrated, a zinc rich primer should be applied to the damaged area to maintain its corrosion resistance.

### MAINTAINING THE PAINTED OR POWDER COATED SURFACES

Clean regularly with warm soapy water. Should the paint become chipped or scratched, it can be touched up using an acrylic based paint.



#### WELLINGTON

1-7 Jean Batten St, Rongotai, Wellington 6022  
PO Box 14122, Kilbirnie, Wellington 6241, New Zealand  
T +64 4 387 7009 F +64 4 387 9114 E wgtnsales@tilleygroup.co.nz

#### AUCKLAND

36 Aranui Rd, Mt Wellington  
Auckland 1060, New Zealand  
T +64 9 527 7385 E akldsales@tilleygroup.co.nz

#### CHRISTCHURCH

Level 1/306 Port Hills Rd, Hillsborough  
Christchurch 8022, New Zealand  
T +64 3 331 6565 E chchsales@tilleygroup.co.nz