

# Metro Bin



A combination of robustness and contemporary good looks, the Metro is an excellent addition to any indoor or outdoor facility.

Manufactured from marine grade Aluminium, the Metro is corrosion resistant, ecologically friendly and 100% recyclable.

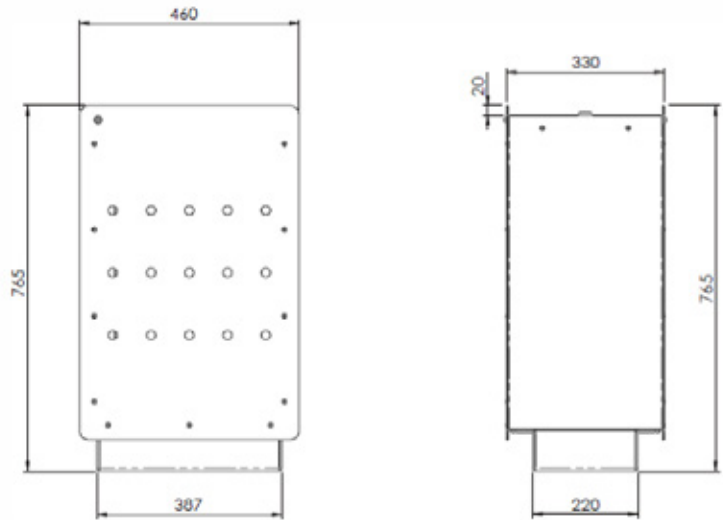
Surface, wall or pole mount.

**Tilley** Street & Park Furniture

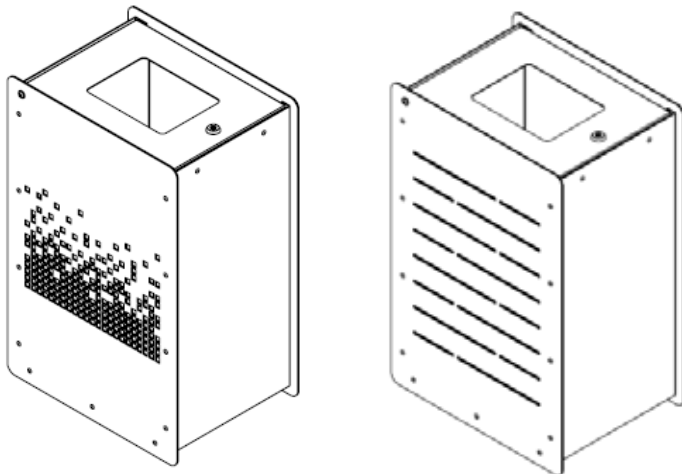
# Metro Bin

## Metro Bin

- Material:**  
2.0 & 3.0 mm Marine grade Aluminium
- Liner:**  
Galvanised Liner with 55 litres capacity
- Mounting:**  
Wall Mount with 24mm wall spacer (drawings)
- Free Stading Base/Surface Mount**  
(photographs)
- Finish:**  
Powdercoated to specification or natural (combination shown in photographs)
- Lock:**  
Tamper-proof Southco locking system



*Surface mount option with Perforated Wrapper*



*Wall/Pole mount option with Pixel and Slotted Wrappers*



*Dimple pattern Wrapper also available*



### WELLINGTON

1-7 Jean Batten St, Rongotai, Wellington 6022  
 PO Box 14122, Kilbirnie, Wellington 6241, New Zealand  
 T +64 4 387 7009 F +64 4 387 9114 E wgtnsales@tilleygroup.co.nz

### AUCKLAND

36 Aranui Rd, Mt Wellington, Auckland 1060  
 New Zealand  
 T +64 9 527 7385 E akldsales@tilleygroup.co.nz

### CHRISTCHURCH

Level 1/306 Port Hills Rd, Hillsborough, Christchurch 8022  
 New Zealand  
 T +64 3 331 6565 E chchsales@tilleygroup.co.nz