

Wide Hoop

Product Features

- High Strength fabricated Mild Steel or Stainless Steel
- Supplied fully assembled
- Finished in standard Hot Dip Galvanised colour
- Can be powder coated in any standard colour
- Finished in natural Stainless Steel colour

Product Specification

Hoop

- 40NB x 3.2 W/t Mild Steel Pipe
- 40NB x 1.6 W/t Stainless Steel Pipe
- Ø12 Mild Steel Bar

Base

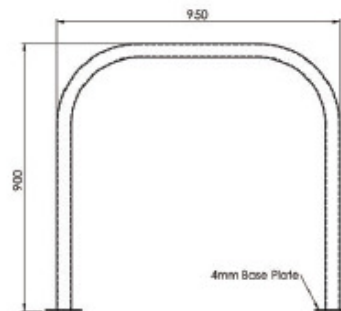
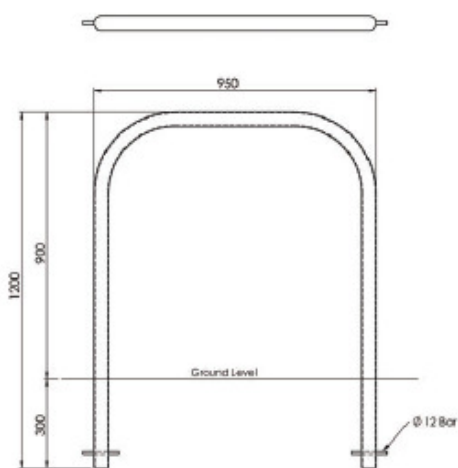
- Surface: 4mm Mild Steel / Stainless Steel
- Sub-surface: Ø12 Rod (to lock hoop into concrete)

Dimensions

- Surface: 950mm wide x 900mm high
- Sub-surface: 950mm wide x 1200mm high (900 above ground)

Mounting

- Surface Mount
- Sub-surface Mount



 **Tilley Group Ltd**

WELLINGTON

1-7 Jean Batten St, Rongotai, Wellington 6022
PO Box 14122, Kilbirnie, Wellington 6241, New Zealand
T +64 4 387 7009 F +64 4 387 9114 E wgtnsales@tilleygroup.co.nz

AUCKLAND

36 Aranui Rd, Mt Wellington, Auckland 1060
New Zealand
T +64 9 527 7385 E akldsales@tilleygroup.co.nz

CHRISTCHURCH

Level 1/306 Port Hills Rd, Hillsborough, Christchurch 8022
New Zealand
T +64 3 331 6565 E chchsals@tilleygroup.co.nz



| Wide Cycle Hoop

Tilley Street & Park Furniture.