

SF2200 Plaza Seat



Plaza Seat with Hardwood Battens

PRODUCT FEATURES

- Laser cut 10.0mm thick Mild Steel frame
- All fixings: Stainless Steel 316
- Supplied fully assembled
- Hot Dip Galvanised AS/NZS 4680:2006

DIMENSIONS

- Length 1800mm Height 790mm
- Width 485mm
- Customisable to suit

BODY SPECIFICATIONS

Body

- Hardwood Timber Battens

Frame

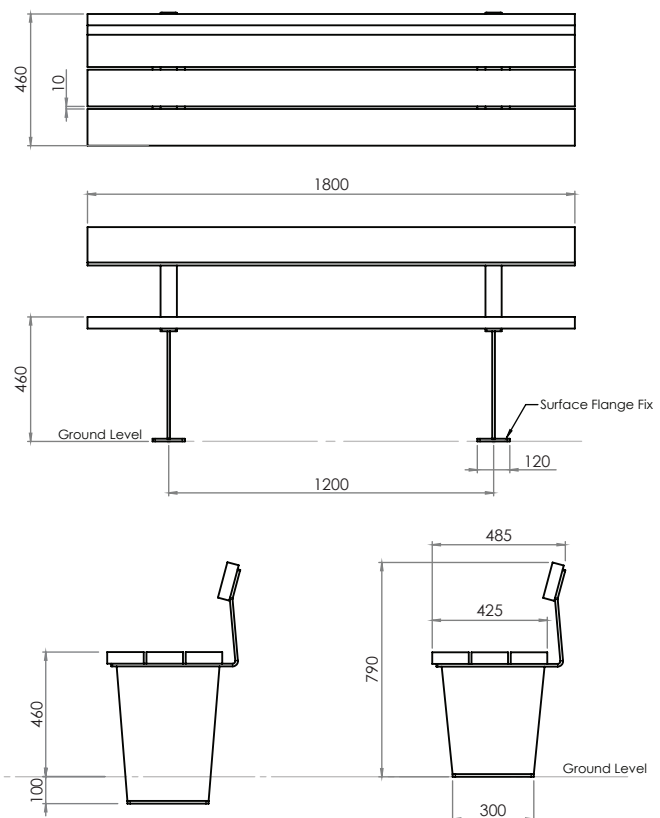
- Mild Steel
- Hot Dip Galvanised

Anti-skateboard Brackets

- No Anti-skateboard Brackets
- Stainless Steel Brackets

Fixing

- Surface Mount or Below Ground



SF2200 Plaza Seat

Care & Maintenance Suggestions

Our products are constructed using a variety of different materials, all of which are highly corrosion resistant. Despite this, some care is required to maintain their good looks. The extent to which cleaning is required will depend on a number of factors including environmental conditions, construction activity and level of use.

MAINTAINING THE METAL SURFACES

To maintain the original appearance of the metal, it should be cleaned regularly using warm soapy water.

Galvanised Steel: If the galvanised coating is significantly penetrated, a zinc rich primer should be applied to the damaged area to maintain its corrosion resistance.

Stainless Steel: Clean the stainless steel components using warm water with a mild detergent with a non abrasive cloth or sponge. Heavier stains may require the use of a nylon scouring pad. As a rule always start with the least severe method of cleaning as the use of scouring pads or scotch bright may result in altering the surface texture. When scouring a beadblasted finish, use a random circular rubbing action - for brushed finishes always use a straight back and forward rubbing action in the direction of the grain.

Rust spots or 'tea stains' can occur on the surface of the material, these are normally caused by contamination from ordinary mild steel, particular in areas where construction work has been undertaken. Such stains can be removed using an abrasive pad as described above.

MAINTAINING THE PAINTED OR POWDER COATED SURFACES

Clean regularly with warm soapy water. Should the paint become chipped or scratched, it can be touched up using an acrylic based paint.

MAINTAINING THE TIMBER

Dirt can be removed using mild detergents. If the timber is left untreated, over time it will gradually change to a silvery grey colour. The timber will remain structurally sound without further maintenance.



WELLINGTON

1-7 Jean Batten St, Rongotai, Wellington 6022
PO Box 14122, Kilbirnie, Wellington 6241, New Zealand
T +64 4 387 7009 F +64 4 387 9114 E wgtnsales@tilleygroup.co.nz

AUCKLAND

36 Aranui Rd, Mt Wellington
Auckland 1060, New Zealand
T +64 9 527 7385 E akldsales@tilleygroup.co.nz

CHRISTCHURCH

Level 1/306 Port Hills Rd, Hillsborough
Christchurch 8022, New Zealand
T +64 3 331 6565 E chchsales@tilleygroup.co.nz