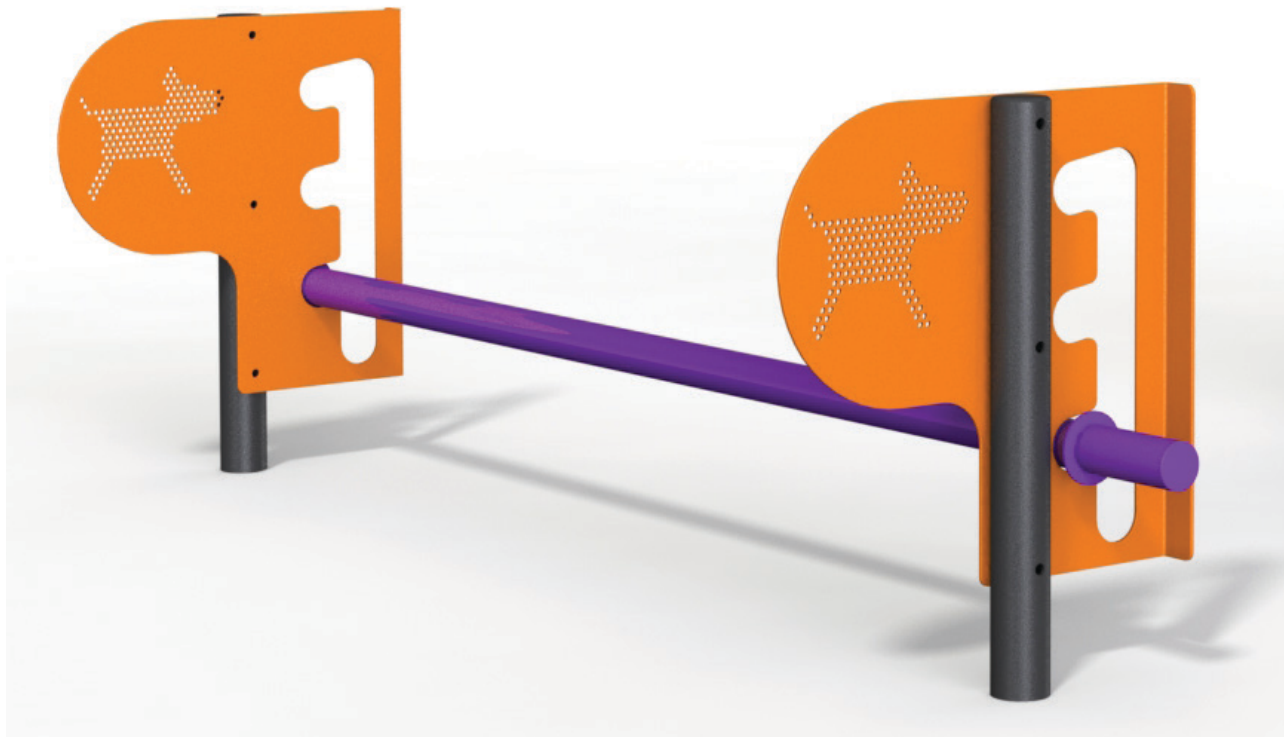


Canine Equipment: Jump Over



Jump Over.

PRODUCT FEATURES

- Supplied fully assembled
- Finished in any standard powder coat colour

DIMENSIONS

- Height 600mm, Width 1800mm, Depth 500mm

BODY SPECIFICATIONS

Jump Over Bar

- Ø50x 4.0 w/t Aluminium 5251

End Panels

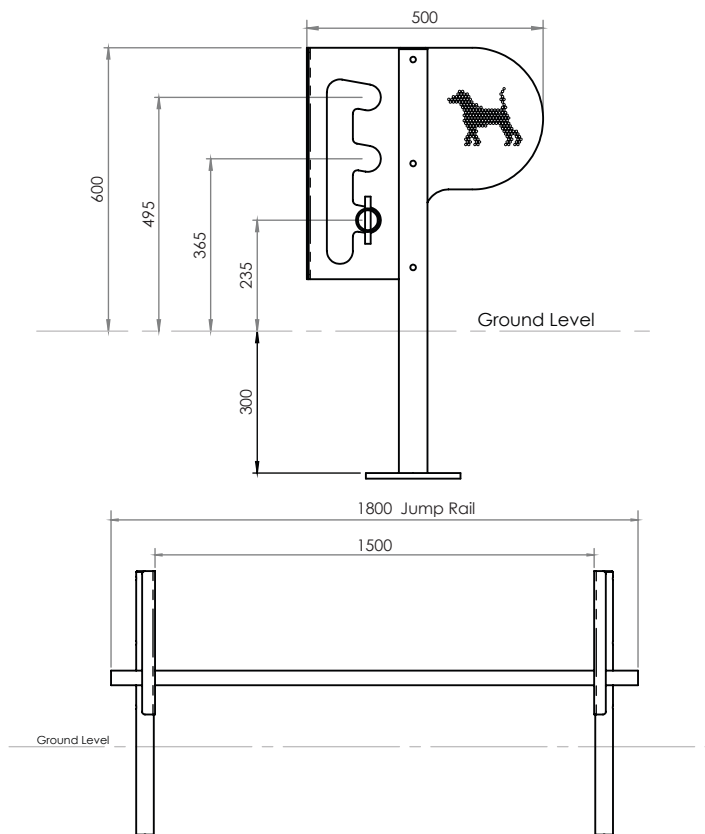
- 4.0mm Aluminium 5251
- Jump Over Bar slot heights at 235, 365 and 495mm high

Posts

- 50NB x 3.6 w/t Aluminium 5251

Fixing

- Surface Mount or Extended Leg



TILLEY

STREET AND PARK FURNITURE

Canine Equipment: Jump Over

Care & Maintenance Suggestions

Our products are constructed using a variety of different materials, all of which are highly corrosion resistant. Despite this, some care is required to maintain their good looks. The extent to which cleaning is required will depend on a number of factors including environmental conditions, construction activity and level of use.

MAINTAINING THE PAINTED OR POWDER COATED SURFACES

Clean regularly with warm soapy water. Should the paint become chipped or scratched, it can be touched up using an acrylic based paint.



DOC 1077/1

WELLINGTON

1-7 Jean Batten St, Rongotai, Wellington 6022
PO Box 14122, Kilbirnie, Wellington 6241, New Zealand
T +64 4 387 7009 F +64 4 387 9114 E wgtnsales@tilleygroup.co.nz

AUCKLAND

36 Aranui Rd, Mt Wellington
Auckland 1060, New Zealand
T +64 9 527 7385 E akldsales@tilleygroup.co.nz

CHRISTCHURCH

Level 1/306 Port Hills Rd, Hillsborough
Christchurch 8022, New Zealand
T +64 3 331 6565 E chchsales@tilleygroup.co.nz