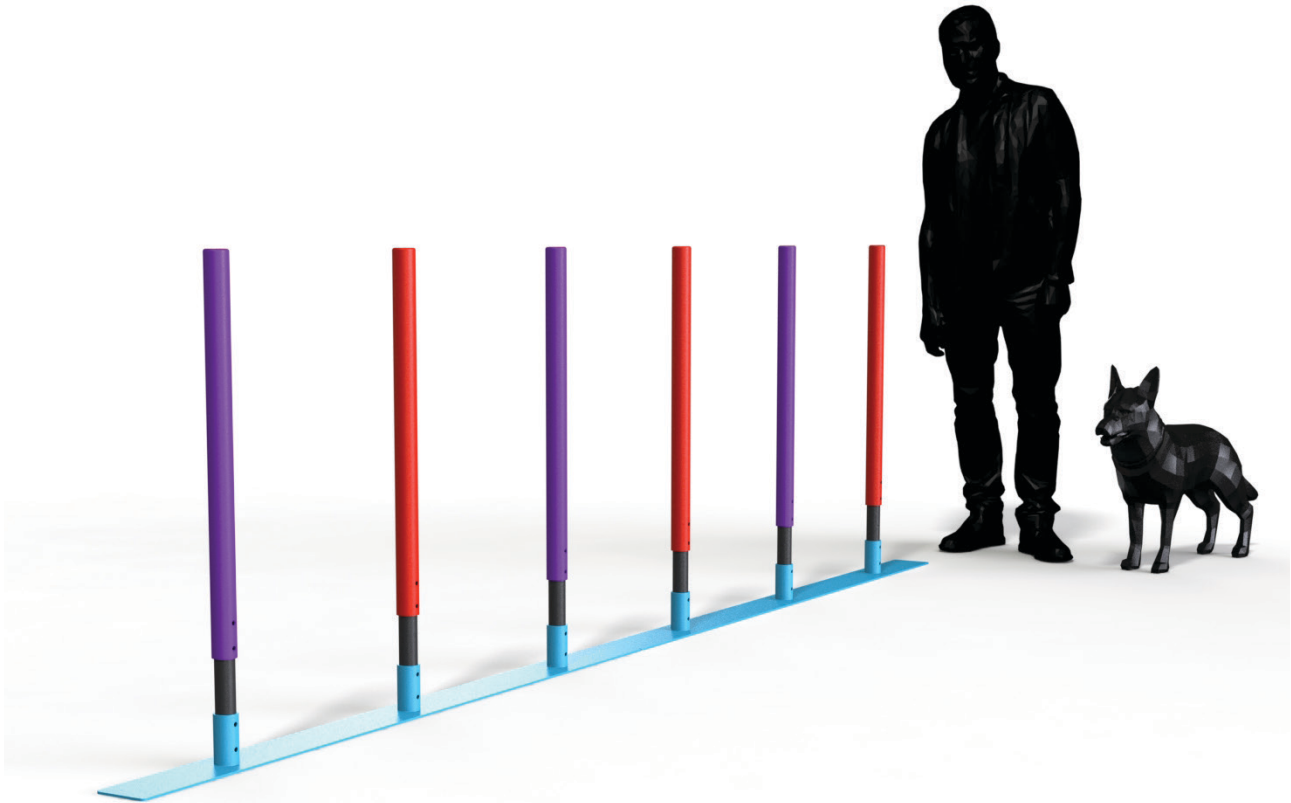


Canine Equipment: Weave Poles



Two Weave Pole sets in sequence.

PRODUCT FEATURES

- Supplied fully assembled
- Finished in any standard powder coat colour

DIMENSIONS

- Width 1800mm, Depth 120mm, Height 1000mm

BODY SPECIFICATIONS

Poles

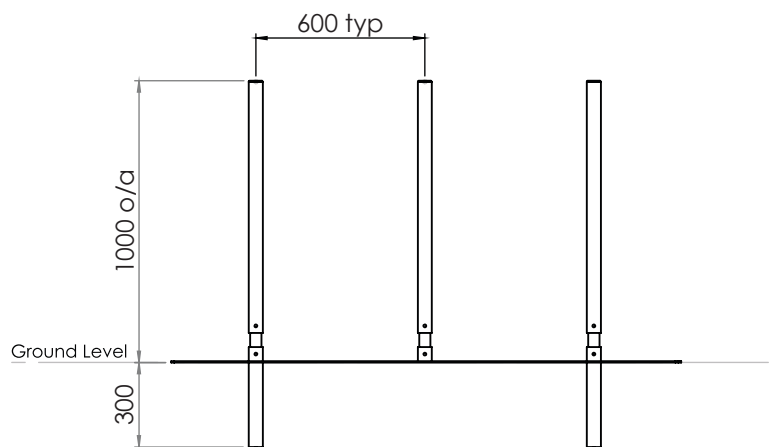
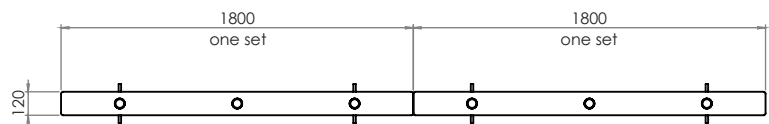
- Ø50 x 4.0 w/t Aluminium 5251
- Flexible connecting Rod
- 600mm pole spacing (center to center)

Base Plate

- 5.0mm Aluminium 5251

Fixing

- Surface Mount or Extended Leg



Canine Equipment: Weave Poles

Care & Maintenance Suggestions

Our products are constructed using a variety of different materials, all of which are highly corrosion resistant. Despite this, some care is required to maintain their good looks. The extent to which cleaning is required will depend on a number of factors including environmental conditions, construction activity and level of use.

MAINTAINING THE PAINTED OR POWDER COATED SURFACES

Clean regularly with warm soapy water. Should the paint become chipped or scratched, it can be touched up using an acrylic based paint.

WELLINGTON

1-7 Jean Batten St, Rongotai, Wellington 6022
PO Box 14122, Kilbirnie, Wellington 6241, New Zealand
T +64 4 387 7009 F +64 4 387 9114 E wgtnsales@tilleygroup.co.nz

AUCKLAND

36 Aranui Rd, Mt Wellington
Auckland 1060, New Zealand
T +64 9 527 7385 E akldsales@tilleygroup.co.nz

CHRISTCHURCH

Level 1/306 Port Hills Rd, Hillsborough
Christchurch 8022, New Zealand
T +64 3 331 6565 E chchsales@tilleygroup.co.nz